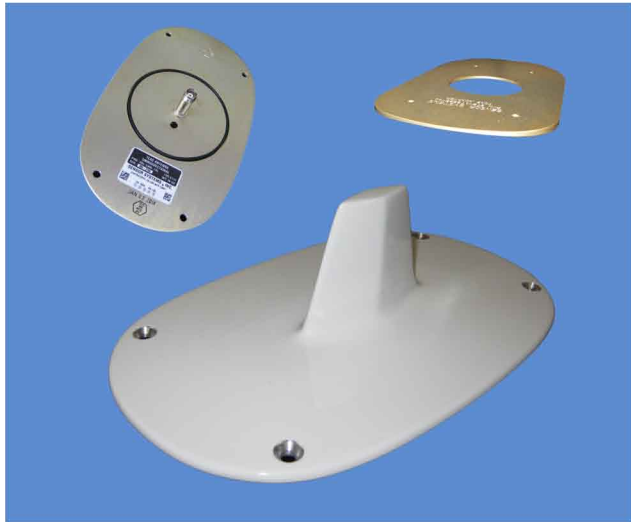


TCAS II S65-5366-735



DESCRIPTION

S65-5366-735: Highly-efficient omnidirectional TCAS antenna designed for use as a lower antenna. Rugged, all-metal aluminum casting featuring DC-grounding for lightning protection. Mounting bolt pattern matches the spacing of directional TCAS II antennas in the S72-1735 series. Universal design suitable for all aircraft, military, commercial and general aviation.

Optional radius adapters are available for this antenna for various fuselage diameters, making this antenna truly universal. See OPTIONS below.

FEDERAL & MILITARY SPECS: TSO -C119, ARINC 735, DO-160D/G, DO-185, MIL-HDBK-5400H, SAE ARP5416, and MIL-STD-810D, Boeing D6-81926(G).

OPTIONAL RADIUS ADAPTERS:

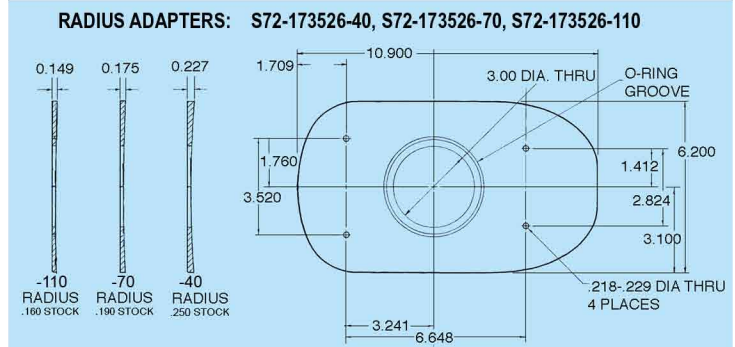
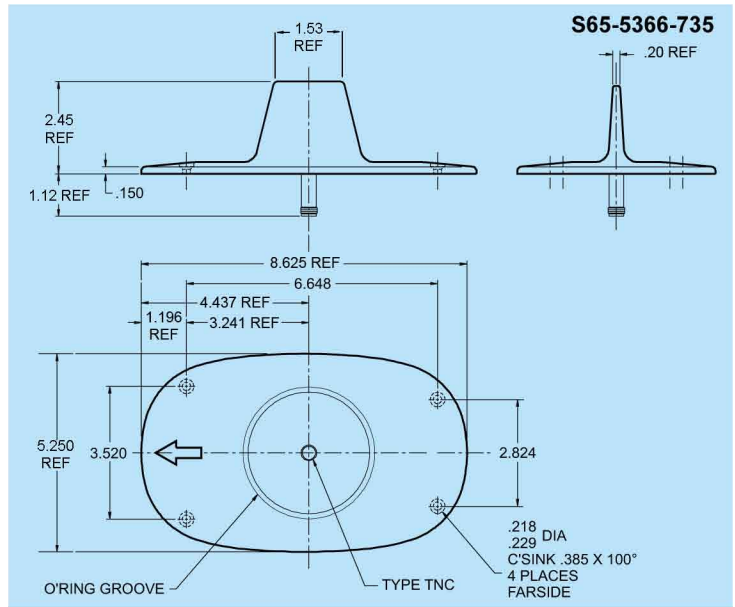
Machined from 6061-T6 aluminum alloy with 3.487 I.D. O-ring.

S72-173526-40: 40" radius. Saab 340, Dash 7/8, ATR-42, Short 360, Metro III, Brazila, Bandeirante.

S72-173526-70: 70" radius. DC-9, MD-80/87, B-707, B-727, B-737, B-757.

S72-173526-110: 110" radius. B-747, B-767, L-1011, DC-10, MD-11, A-300/310/320.

SPECIFICATIONS	
MODEL	S65-5366-735
ELECTRICAL	
Frequency	1030-1090 MHz
VSWR	≤1.50:1
Pattern	Omnidirectional in Azimuth Cosinusoidal in Elevation
Polarization	Vertical
Impedance	50 ohms
Gain	+3 dBi
Power	3,000 Watts Peak, 250 Watts CW
Lightning Protection	DC grounded
MECHANICAL	
Weight	16 oz.
Height	2.45 in.
Material	A-356 Aluminum Alloy
Finish	Skydrol Resistant Polyurethane Enamel
Connector	TNC Female
ENVIRONMENTAL	
Temperature	-55°C (-67° F) to +85°C (+185° F)
Vibration	±10 G's
Shock	20 G's
Altitude	50,000 ft.



Note: For Reference Only.

Contact Sensor Systems for the latest engineering drawings.

Doc # DS S65-5366-735_H, 021015: MRKT **MDV** ENG **RC** QC **DJ**



Sensor Systems, Inc. 8929 Fullbright Ave., Chatsworth, CA

Ph: 818-341-5366 Fax: 818-341-9059 Email: info@SensorAntennas.com www.SensorAntennas.com
021015